

Document Number		RG_SPEC-0003	
Title		Telemetry Mini-Radio Specification	
Revision	Date	Prepared By	Change History
1.0	03/24/2009	Chris Brown	Initial Release.

Introduction

The smallest in 900 MHz spread spectrum wireless radios, this model has the smallest enclosure. It retains 100% backwards compatibility with our other 900 MHz radios. It has been built to survive hostile environments from vibration and water splashes with its sealed cover.



Specifications:

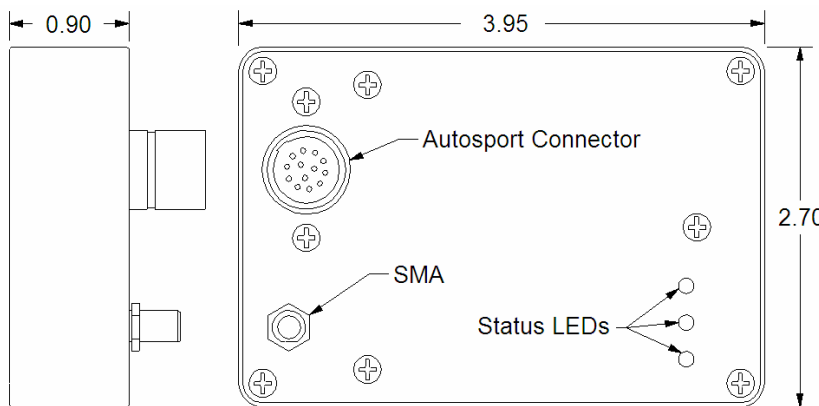
Frequency: 902-928 MHz
 Method: hopping spread spectrum
 Output Power: up to 1 Watt (+30dBm)
 Sensitivity: -108dBm
 RF Connector: SMA female
 Error Detection: 32bit CRC, auto retransmit
 Link Speed: baud rates up to 115.2 Kbps
 Data Interface: RS-232 serial
 Hopping Bands: 7, user selectable

Power Requirements:

Supply Voltage: 6 to 30 VDC
 Current Consumption: ~25 mA idle
 (with 12v supply) ~90 mA receive
 ~600 mA transmit

Environmental:

Temperature Range: -20° to 75° C
 Housing Material: 6061 Aluminum
 Weight: 175 grams



Dimensions in inches

Connection:

Mating connector: AS 610-35SN
 pin 1 – CD (carrier detect)
 pin 2 – TX
 pin 3 – RX (receive from dash transmit)
 pin 4 – DTR
 pin 5 – Ground
 pin 6 – no connection
 pin 7 – RTS
 pin 8 – CTS (clear to send)
 pin 9 – Ground (tied internally to pin 5)
 pin 10 – no connection
 pin 11 – no connection
 pin 12 – setup mode interrupt
 pin 13 – 12 volt supply